

Ø32 - Ø100 - DIN/ISO 15552 - (WITH TIE RODS)

Type 2130

22/10-15 vers.2

**ART. NO.**

U032 0000 2130
 U040 0000 2130
 U050 0000 2130
 U063 0000 2130
 U080 0000 2130
 U100 0000 2130

Standard DIN/ISO 15552 (Ø32-Ø100):

A standard UNIC Stainless Cylinder® to DIN/ISO 15552 (Ø32-Ø100) is equipped with a permanent magnet and adjustable end stroke-cushioning. Standard UNIC Stainless Cylinder® is fitted with nitrile rubber (NBR) / polyurethane (PU) packings and aluminium piston.

Max pressure: 10 bar

Temperature: -20°C to +80°C

Standard stroke: 25-1000 mm.

MATERIAL

Piston rod, fittings: AISI 304 / (WST. 1.4301).
 Cylinder pipe and end caps: AISI 304 / (WST. 1.4301).
 Tie rods and screws: AISI 304 / (WST. 1.4301)

CHEMICAL RESISTANCE

Viton (FPM) packings are an option in order to achieve higher resistance towards chemicals, if needed. When ordering a cylinder with high resistance to chemicals, add the letter „C“ to the end of the product number.

HEAT-RESISTANT +150°C

A heat-resistant cylinder has no magnet. The piston is made from aluminium, and the packings from Viton (FPM). A heat-resistant UNIC Stainless Cylinder® can run in ambient temperatures up to +150°C. When ordering a heat-resistant cylinder, add the letter „H“ to the end of the product number.

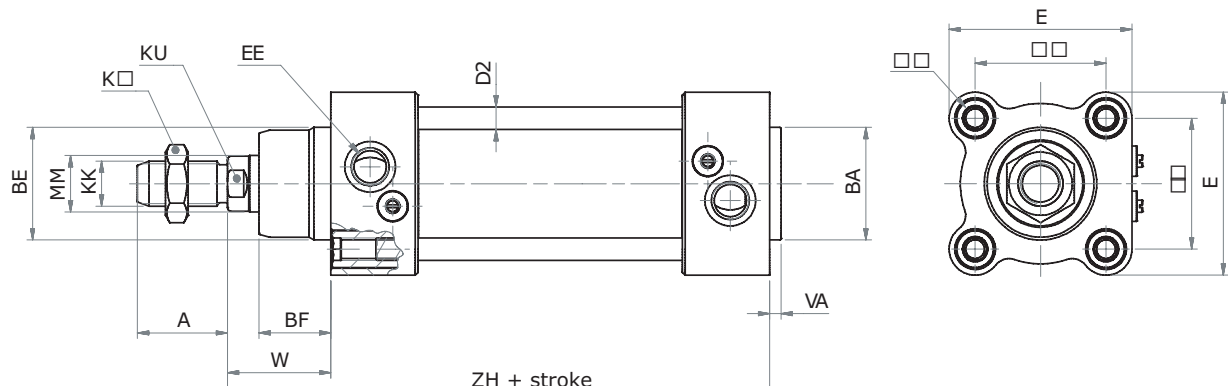
ORDER SAMPLE

Order sample for heat-resistant and chemical-resistant cylinder.

Heat-resistant cylinder: U080 0050 2130**H**
Chemical-resistant cylinder: U080 0050 2130**C**
 Cylinder based on **DIN/ISO 15552**

MEASUREMENT FORM (MM)

Type 2130



Cyl.Ø	A*	BE	BF*	E	EE*	KK*	KU	KX	KY	MM*	RT*	TG*	VF	W*	ZH*
32	22	M30x1,5	20	45	G1/8"	M10x1,25	10	17	5	Ø12	M6	32,5	23,0	26	120
40	24	M36x1,5	22	55	G1/4"	M12x1,25	13	19	6	Ø16	M6	38,0	27,5	30	135
50	32	M42x1,5	29	65	G1/4"	M16x1,50	17	24	6	Ø20	M8	46,5	26,0	37	143
63	32	M42x1,5	29	75	G3/8"	M16x1,50	17	24	6	Ø20	M8	56,5	29,5	37	158
80	40	M55x1,5	35	95	G3/8"	M20x1,50	22	30	9	Ø25	M10	72,0	31,0	46	174
100	40	M55x1,5	38	115	G1/2"	M20x1,50	22	30	9	Ø25	M10	89,0	31,0	51	189

* = DIN/ISO norm. measurements

Cyl.Ø	Wear-parts
32	U1903237
40	U1904037
50	U1905037
63	U1906337
80	U1908037
100	U1910037

THEORETICAL CYLINDER FORCES

In NEWTON											
cyl. Ø	Piston Ø	Piston area cm ²		3 bar		4 bar		5 bar		6 bar	
		●	○	●	○	●	○	●	○	●	○
32	12	8,0	6,9	212	182	282	243	352	304	422	364
40	16	12,6	10,6	333	2,8	444	373	554	466	665	560
50	20	19,6	16,5	517	436	690	581	862	726	1035	871
63	20	31,1	28,0	824	739	1098	986	1373	1232	1647	1478
80	25	50,3	45,3	1328	119	1771	1598	2213	1998	2656	2397
100	25	78,5	73,6	2072	1943	2763	2591	3454	3238	4145	3886

In NEWTON											
cyl. Ø	Piston Ø	Piston area cm ²		7 bar		8 bar		9 bar		10 bar	
		●	○	●	○	●	○	●	○	●	○
32	12	8,0	6,9	493	425	563	486	634	546	704	607
40	16	12,6	10,6	776	653	887	746	998	840	1109	933
50	20	19,6	16,5	1207	1016	1380	1162	1552	1307	1725	1452
63	20	31,1	28,0	1923	1725	2196	1971	2471	2218	2746	2464
80	25	50,3	45,3	3098	2797	3541	3196	3984	3596	4426	3995
100	25	78,5	73,6	4836	4534	5526	5181	6217	5829	6908	6477

● = cylinder in Plus direction ○ = cylinder in Minus direction