

# THREADED ADAPTER NO. A1 - STAINLESS STEEL

11/10-13 Vers. 2



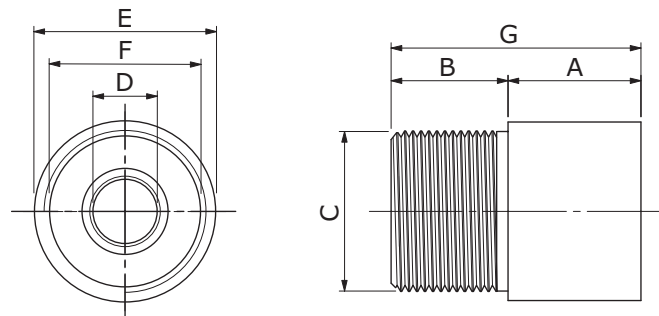
## ART. NO.

Ø25	U1902548-48
Ø32	U1903248-48
Ø40	U1904048-48
Ø50	U1905048-48
Ø63	U1906348-48
Ø80	U1908048-48
Ø100	U1910048-48
Ø125	U1912548-48

Threaded adapter, No. A1, Stainless steel AISI 304 for Ø25 – Ø125 cylinders

It may be advantageous to fit an extra front adapter if the cylinder is used in an aggressive environment that leaves deposits on the piston rod. The adapter is, therefore, fitted with a highly chemical-resistant and hard scraper made of PTFE. When ordering a cylinder with adapter, add the letter "A1" to the end of the product number.

## MEASUREMENT FORM (MM)



Cyl. Ø	A	B	C	D	E	F	G	kg	Wear-parts
25	24,5	21	M22x1,5	Ø10	26,8	M22x1,5	45,5	0,08	U1902542-P
32	25,0	20	M30x1,5	Ø12	33,6	M30x1,5	47,0	0,15	U1903242-P
40	28,0	22	M36x1,5	Ø16	41,6	M36x1,5	50,0	0,25	U1904042-P
50	34,0	29	M42x1,5	Ø20	52,4	M42x1,5	63,0	0,40	U1905042-P
63	34,0	29	M42x1,5	Ø20	65,4	M42x1,5	63,0	0,55	U1906342-P
80	40,0	35	Ø55	Ø25	86,0	M55x1,5	75,0	1,00	U1908042-P
100	43,0	38	Ø55	Ø25	106,0	M55x1,5	81,0	1,90	U1910042-P
125	55,0	50	Ø60	Ø32	132,0	M60x2,0	105,0	4,50	U1912542-P

\* = DIN/ISO norm. measurements